

.118"(3.0mm) Wire-to-Wire Crimp Terminal Housing

Specifications:

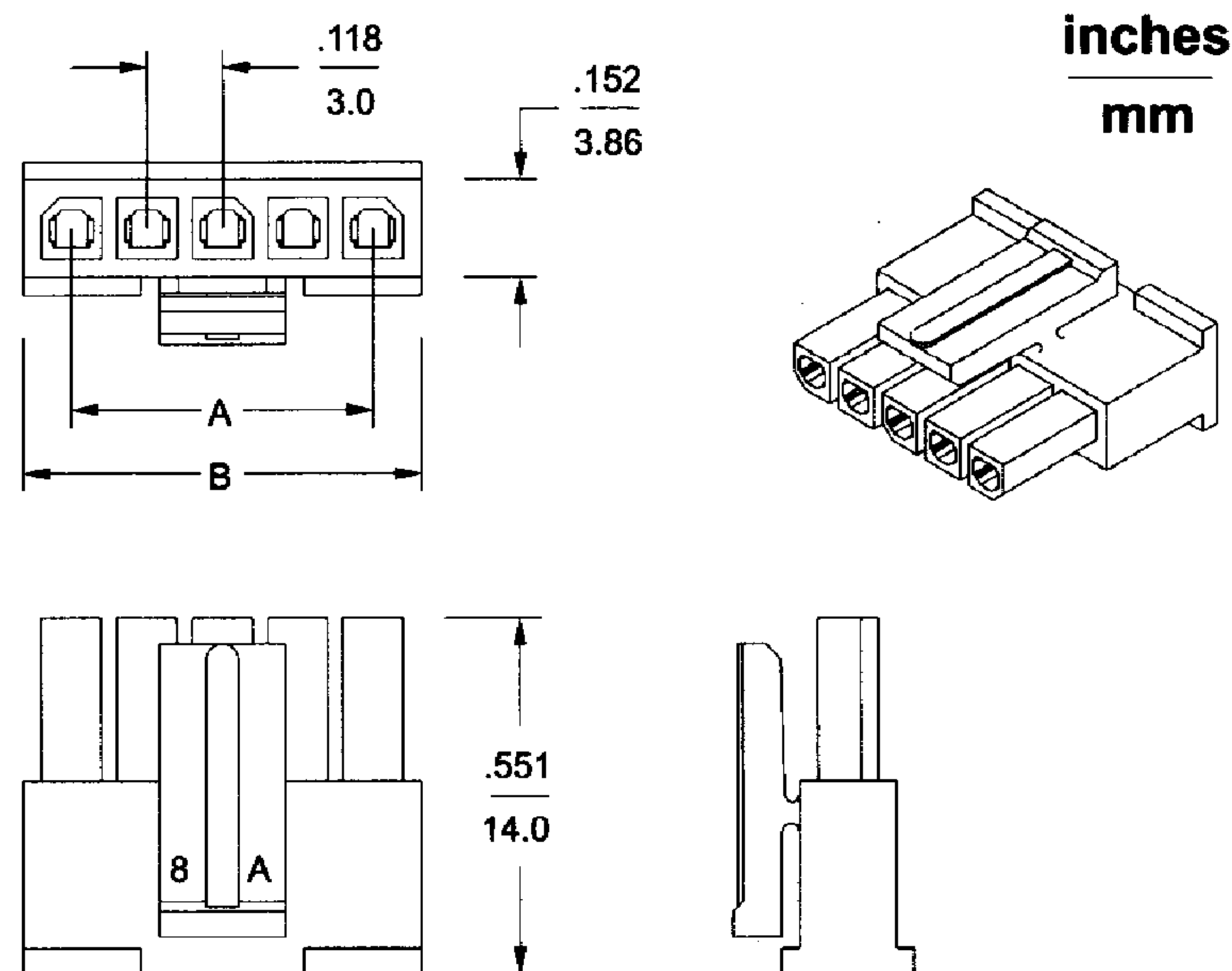
- Voltage rating: 250V AC(RMS) or DC
- Dielectric Strength: 1500V AC/minute
- Current rating:

- Insulation resistance: 1000MΩ min.
- Contact resistance: 10mΩ max.
- Temperature rise: 30°C max.
(carry rated current load)

Wire size	# 20	# 22	# 24	# 26	# 28	# 30
Ampere	5 A	5 A	4 A	3 A	2 A	1 A

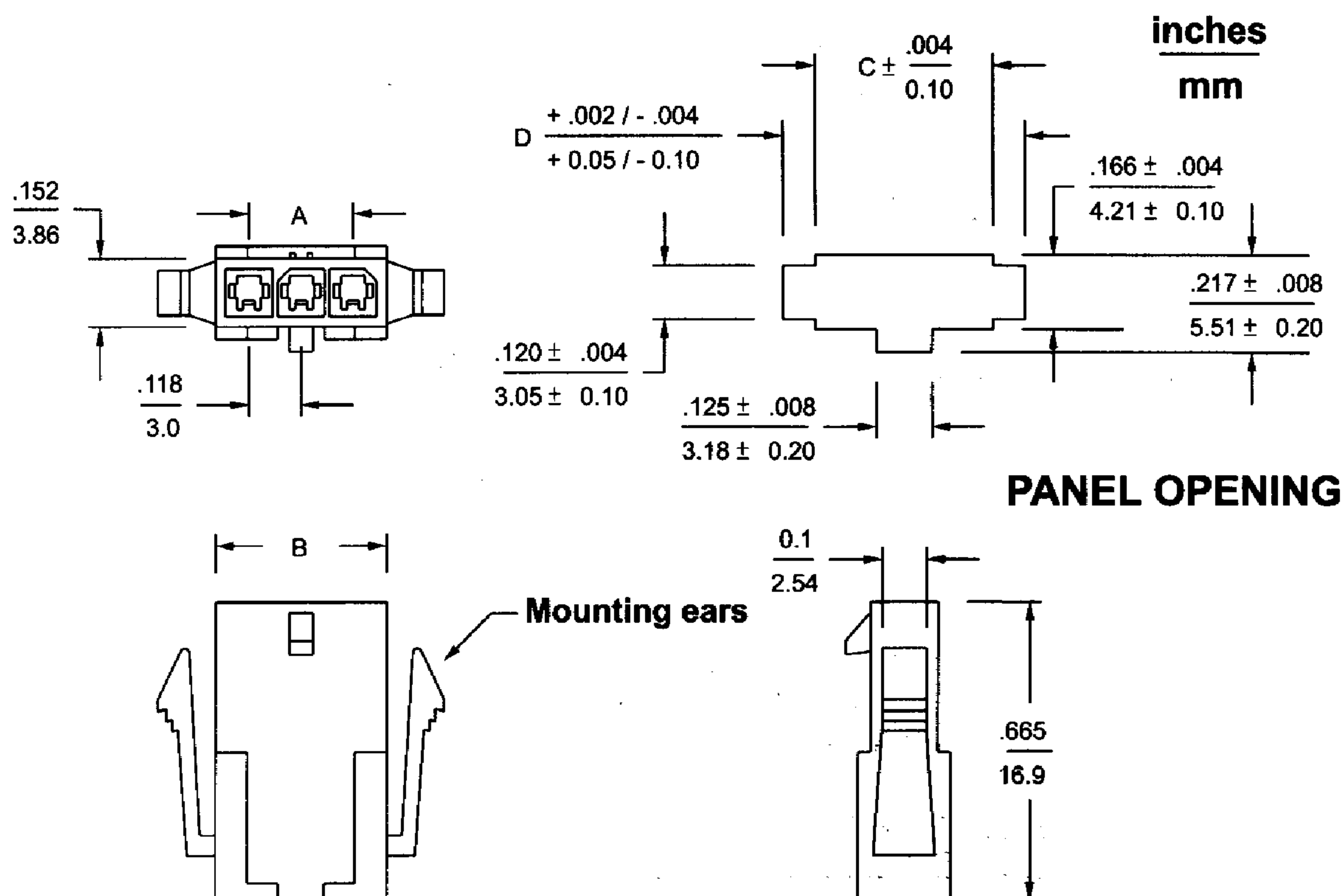
30002HM-N Series Single Row Receptacle Housing

- Available in 2 thru 12 circuits
- Material: Polyester, UL 94V-0
- Standard color: Black
- Accepts 30001TF series terminals
- Mates with 30002HF-N series housing
- Mates with 30002W headers



30002HF-N Series Single Row Plug Housing

- Available in 2 thru 12 circuits
- Material: Polyester, UL 94V-0
- Standard color: Black
- Accepts 30001TM series terminals
- Mates with 30002HM-N series housing
- Recommended panel thickness: 1.57mm



Ordering Information

Part No.	Feature
30002HFE-N	With mounting ears
30002HF-N	Without mounting ears

Dimensional Information - in (mm)

Circuits	Dim. A	Dim. B	Dim. C	Dim. D	Circuits	Dim. A	Dim. B	Dim. C	Dim. D
2	0.118 (3.0)	0.276 (7.0)	0.284 (7.21)	0.429 (10.90)	8	0.827 (21.0)	0.984 (25.0)	0.992 (25.20)	1.137 (28.88)
3	0.236 (6.0)	0.394 (10.0)	0.402 (10.21)	0.547 (13.89)	9	0.945 (24.0)	1.102 (28.0)	1.110 (28.20)	1.255 (31.88)
4	0.354 (9.0)	0.512 (13.0)	0.520 (13.21)	0.665 (16.89)	10	1.063 (27.0)	1.220 (31.0)	1.229 (31.22)	1.373 (34.87)
5	0.472 (12.0)	0.630 (16.0)	0.638 (16.21)	0.783 (19.89)	11	1.181 (30.0)	1.339 (34.0)	1.347 (34.22)	1.491 (37.87)
6	0.591 (15.0)	0.748 (19.0)	0.756 (19.21)	0.901 (22.89)	12	1.299 (33.0)	1.457 (37.0)	1.465 (37.22)	1.609 (40.87)
7	0.709 (18.0)	0.866 (22.0)	0.874 (22.20)	1.019 (25.88)					