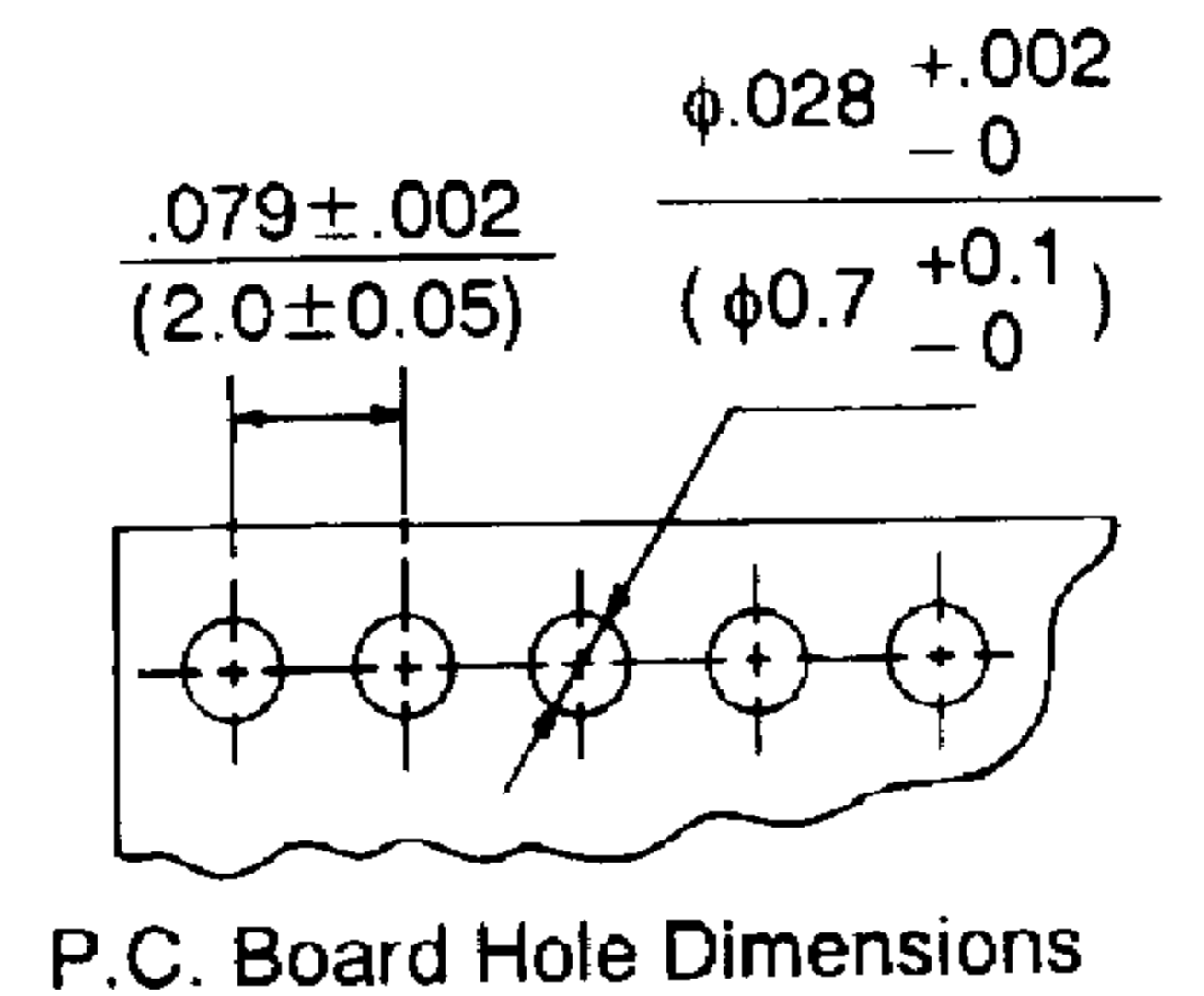
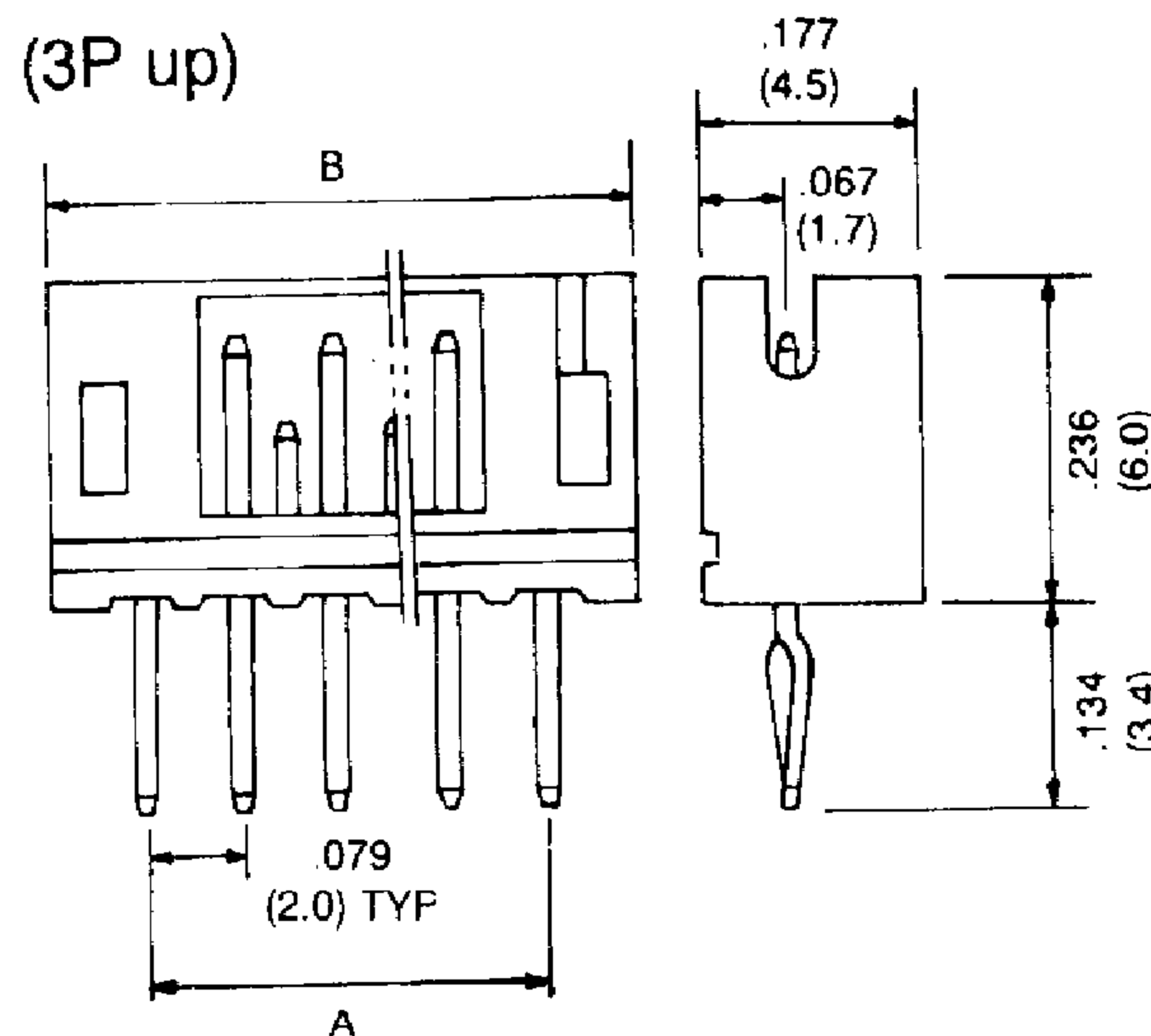
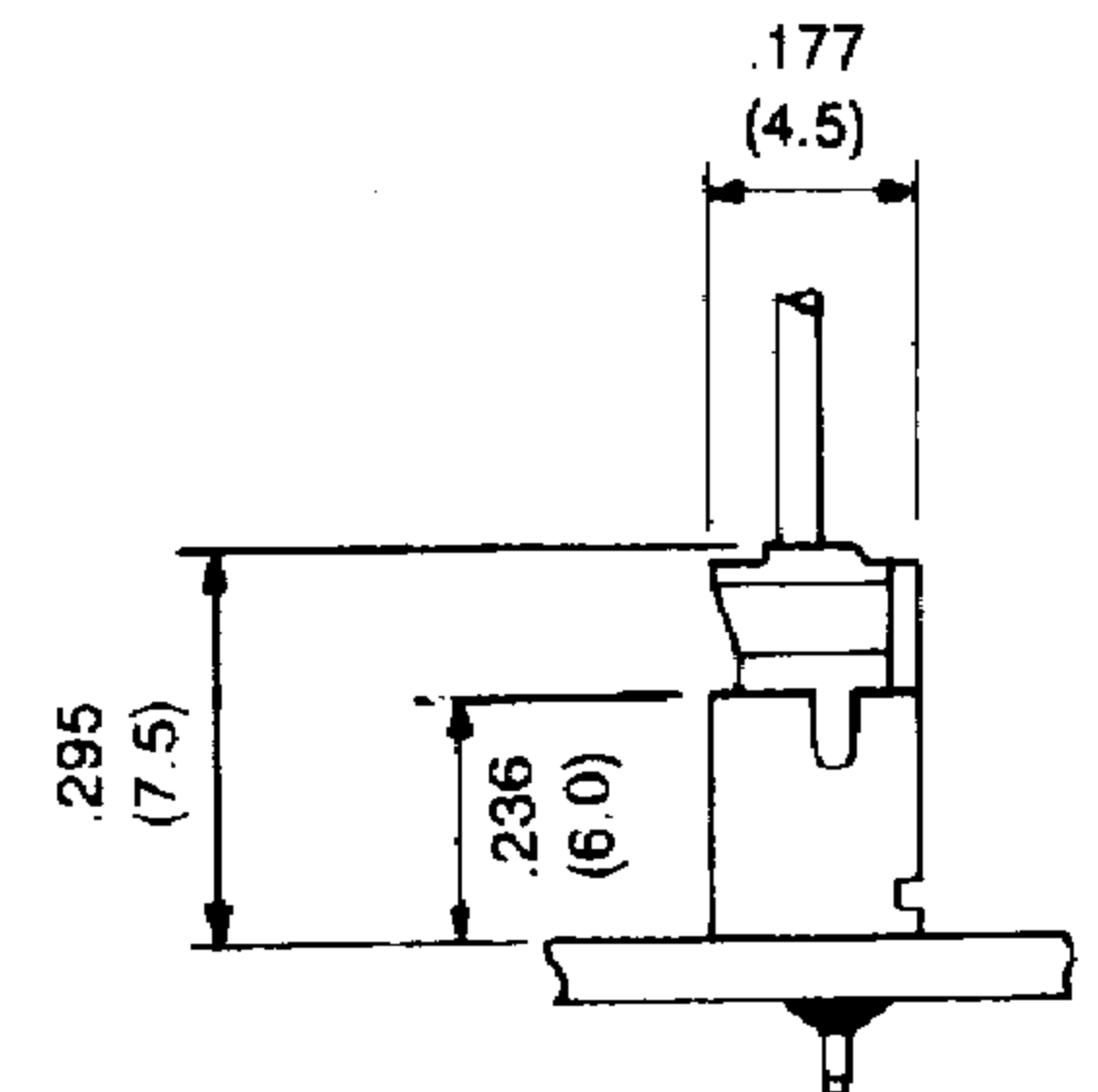
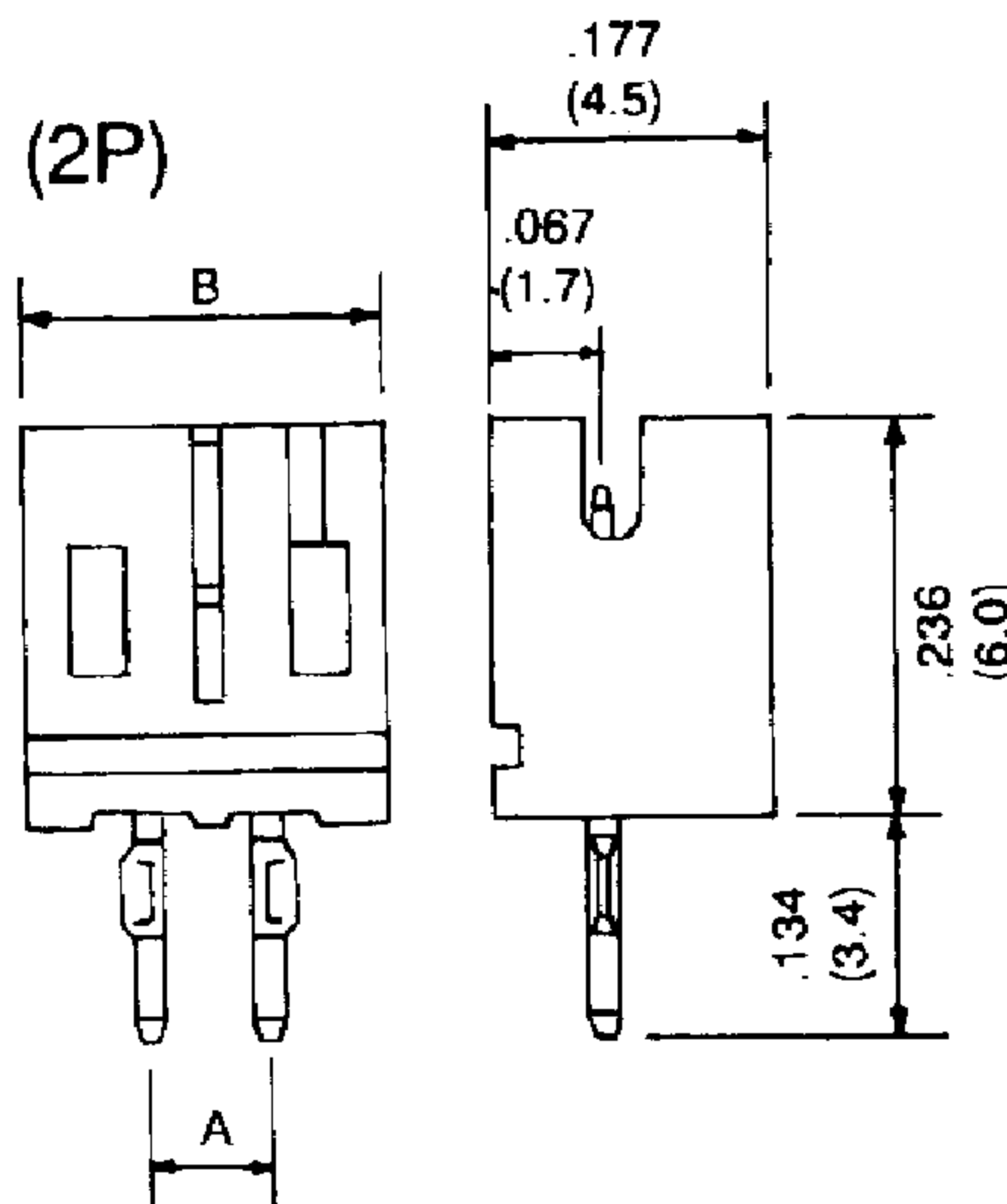


# .079" (2,0 mm) Center Headers

## 20001WS-N Series Straight Pin Friction Lock Header

- 94V-0 nylon
- .020" (0.50mm) straight square wire pins
- 2-15 circuits available
- Mates with 20001H-N series housing



inches  
mm

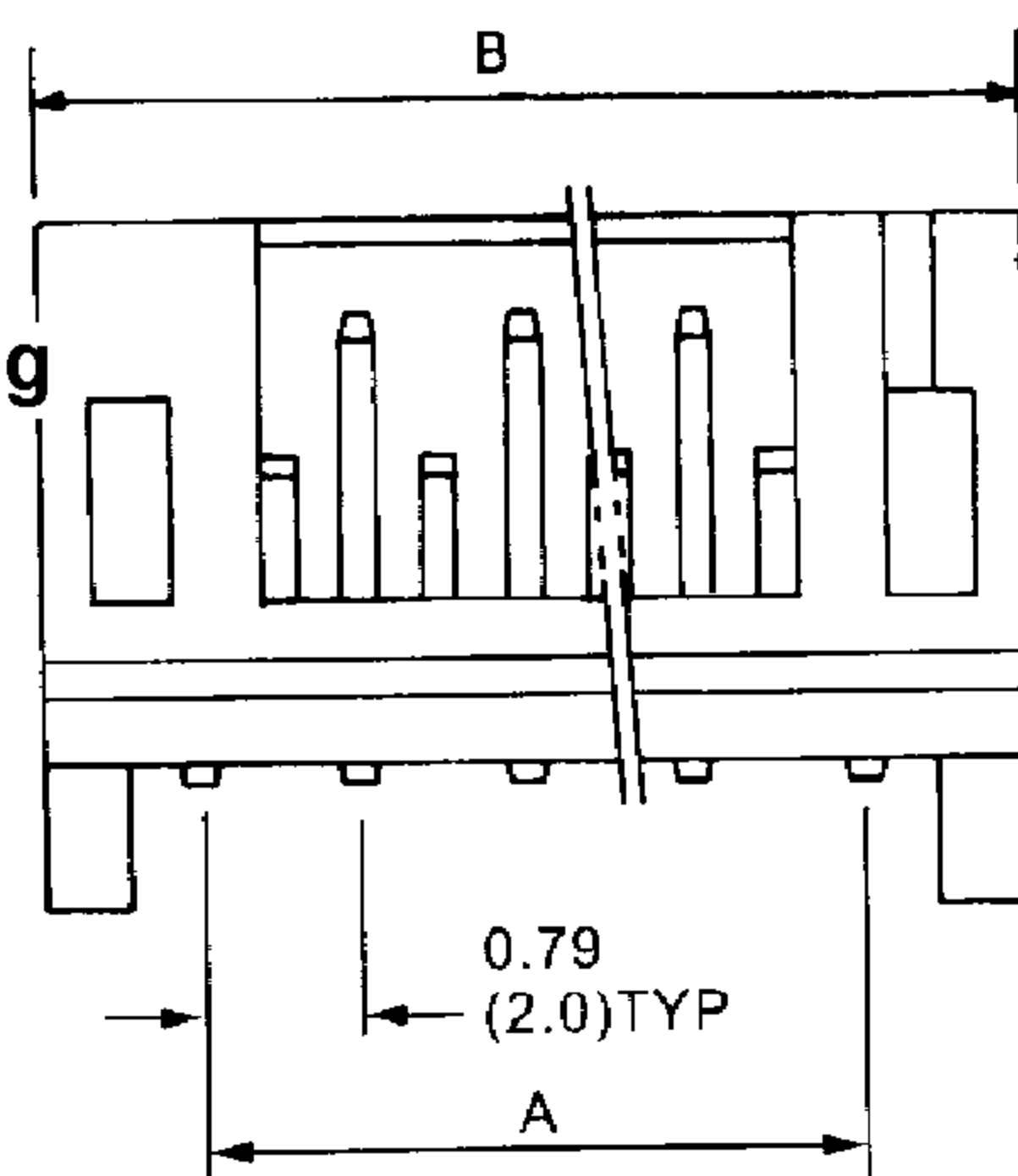
### Dimensional information - in (mm)

Circuits	Dim. A	Dim. B	Circuits	Dim. A	Dim. B
2	.079( 2.0)	.236( 6.0)	9	.630(16.0)	.787(20.0)
3	.157( 4.0)	.315( 8.0)	10	.709(18.0)	.866(22.0)
4	.236( 6.0)	.394(10.0)	11	.787(20.0)	.945(24.0)
5	.315( 8.0)	.472(12.0)	12	.866(22.0)	1.024(26.0)
6	.394(10.0)	.551(14.0)	13	.945(24.0)	1.102(28.0)
7	.472(12.0)	.630(16.0)	14	1.024(26.0)	1.181(30.0)
8	.551(14.0)	.709(18.0)	15	1.102(28.0)	1.260(32.0)

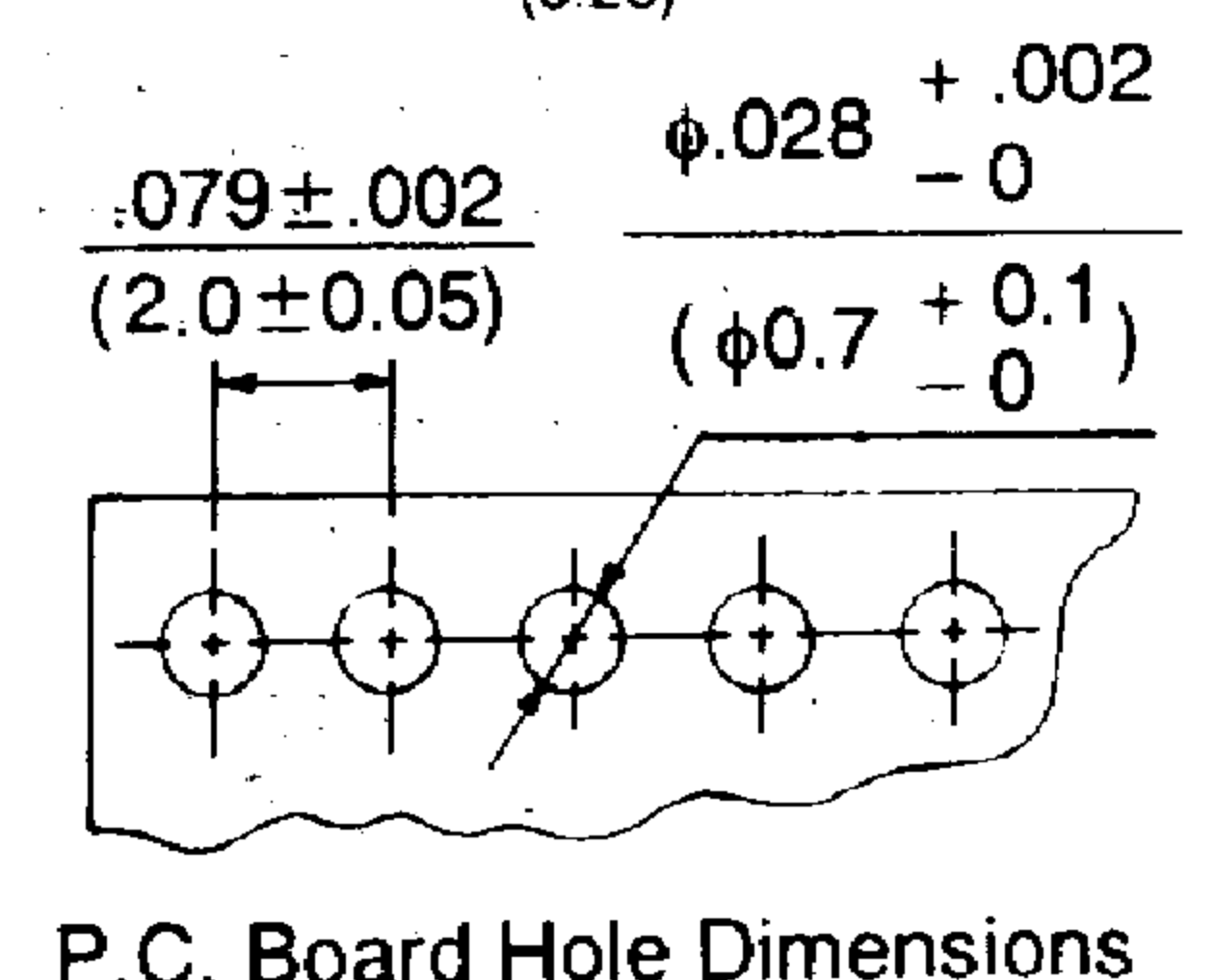
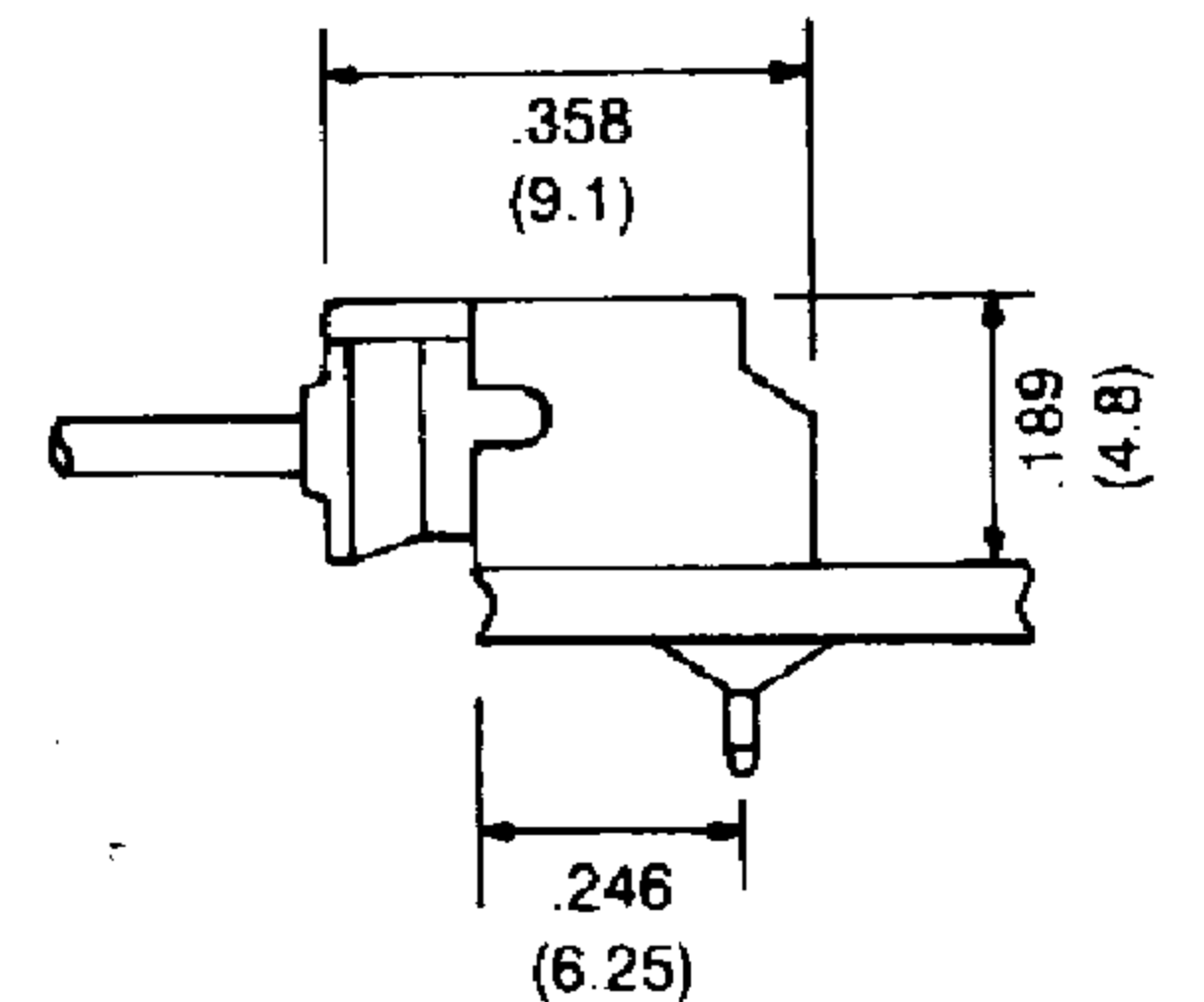
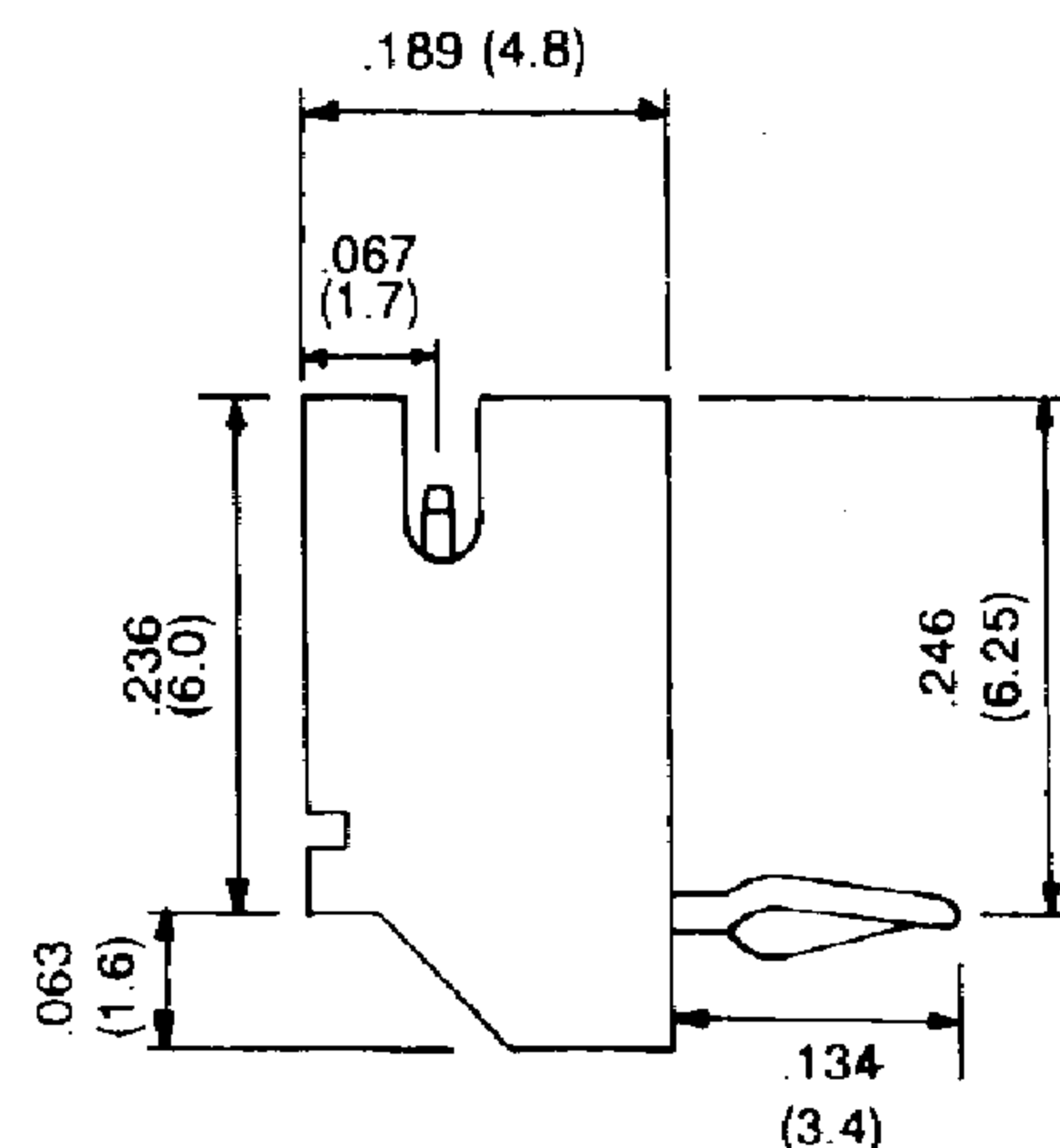
## 20001WR-N Series

### Right Angle Pin Friction Lock Header

- 94V-0 nylon
- .020" (0.50mm) right angle square wire pins
- 2-15 circuits available
- Mates with 20001H-N series housing



inches  
mm



P.C. Board Hole Dimensions