

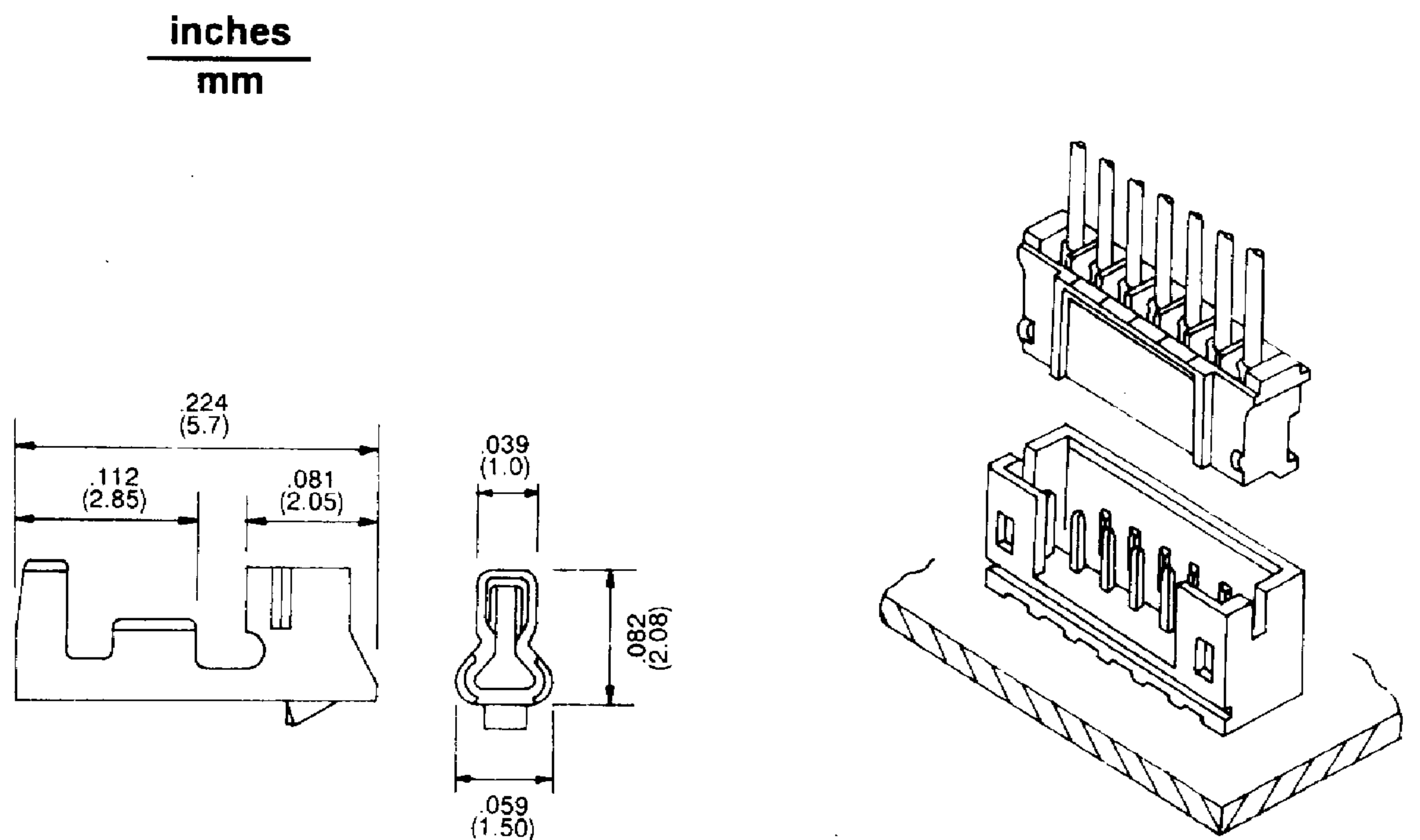
.079" (2.0 mm) Ultra - Small Connectors

Specifications

- Current rating: 2A AC, DC
- Voltage rating: 250V AC, DC
- Temperature range: -25°C ~ +85°C
(including temperature rise)
- Contact resistance: Initial value/10mΩ max.
After environmental testing/20mΩ max.
- Insulation resistance: 1,000MΩ min.
- Withstand voltage: 800V AC/minute
- Applicable wires: AWG #30 ~ #24
- Applicable PC board thickness: .031" ~ .063"
(0.8 ~ 1.6mm)

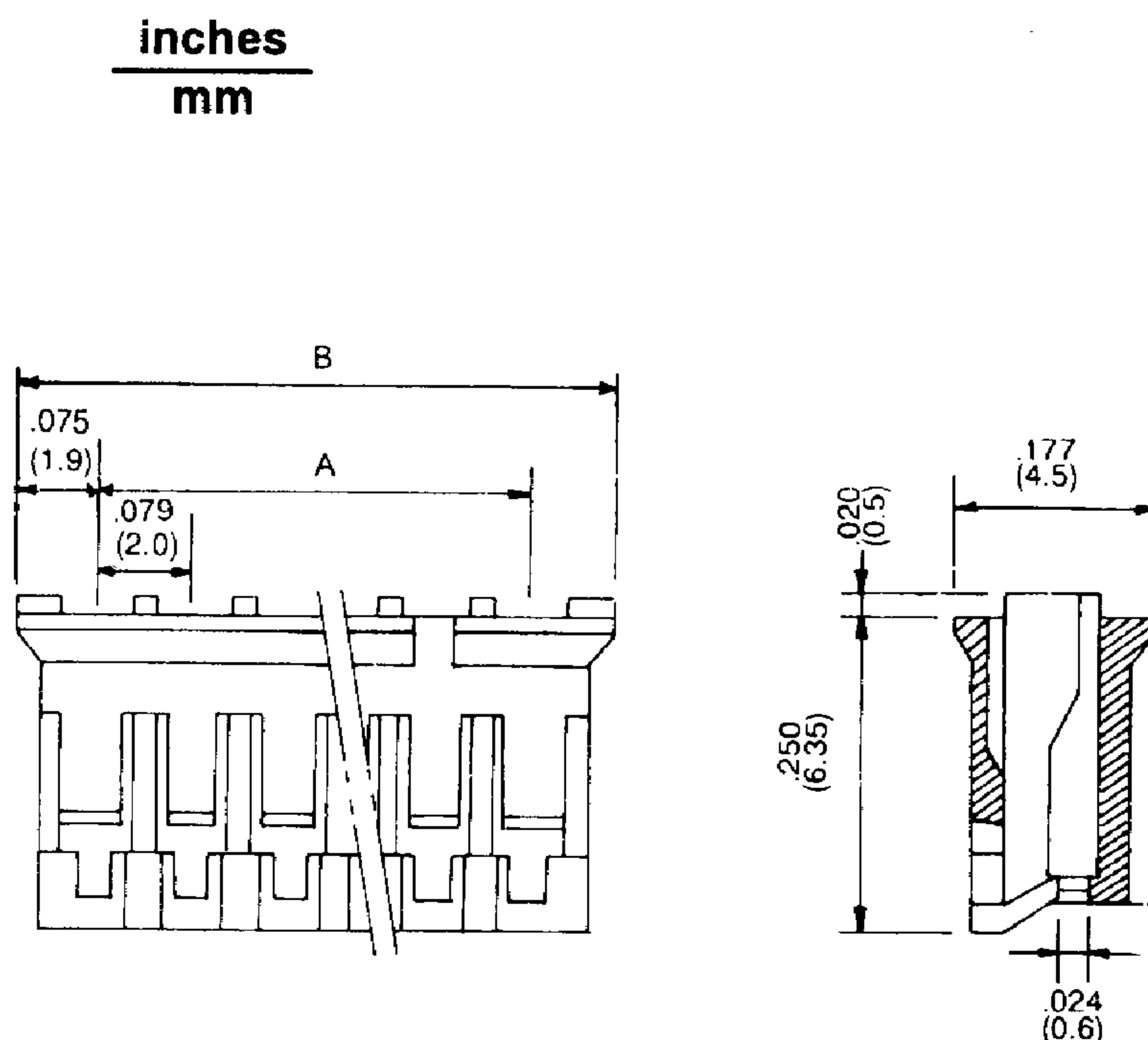
20001T Series Crimp Terminal

- Used in 20001H-N series housing
- Applicable wires: AWG #30 ~ #24
- Material: Tin-plated phosphor bronze



20001-N Series Polarizing Housing

- Material: 94V-0 nylon
- 2-15 circuits available
- Standard color: white
- Accepts 20001T terminal
- Mates with 20001W series headers



Dimensional Information - in. (mm)

Circuits	Dim. A	Dim. B	Circuits	Dim. A	Dim. B
2	.079 (2.0)	.228 (5.8)	9	.630 (16.0)	.780 (19.8)
3	.157 (4.0)	.307 (7.8)	10	.709 (18.0)	.858 (21.8)
4	.236 (6.0)	.386 (9.8)	11	.787 (20.0)	.937 (23.8)
5	.315 (8.0)	.465 (11.8)	12	.866 (22.0)	1.016 (25.8)
6	.394 (10.0)	.543 (13.8)	13	.945 (24.0)	1.094 (27.8)
7	.472 (12.0)	.622 (15.8)	14	1.024 (26.0)	1.173 (29.8)
8	.551 (14.0)	.701 (17.8)	15	1.102 (28.0)	1.252 (31.8)